

Recoules[®] Quackenbush[®]



Mini C-Clamping

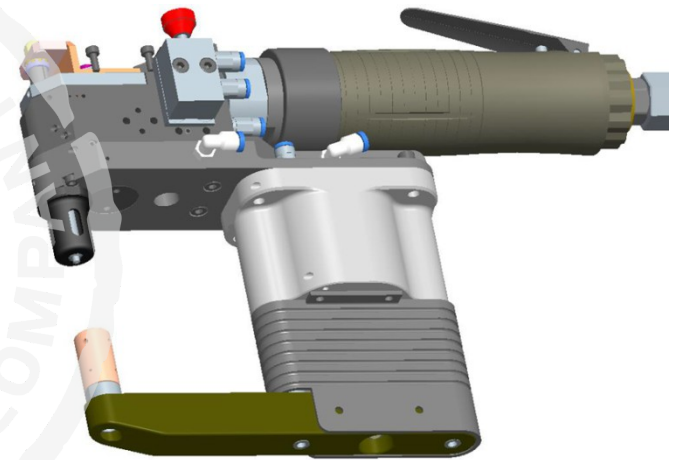
▪ June 2015

HERMES 
THE TOOL COMPANY

Kompania Narzędziowa "HERMES" Sp. z o.o.
ul. Sarni Stok 73 a, 43-300 Bielsko-Biała, Polska; tel: +48 33 821 41 90-91
e-mail: biuro@hermestools.eu www.hermestools.eu

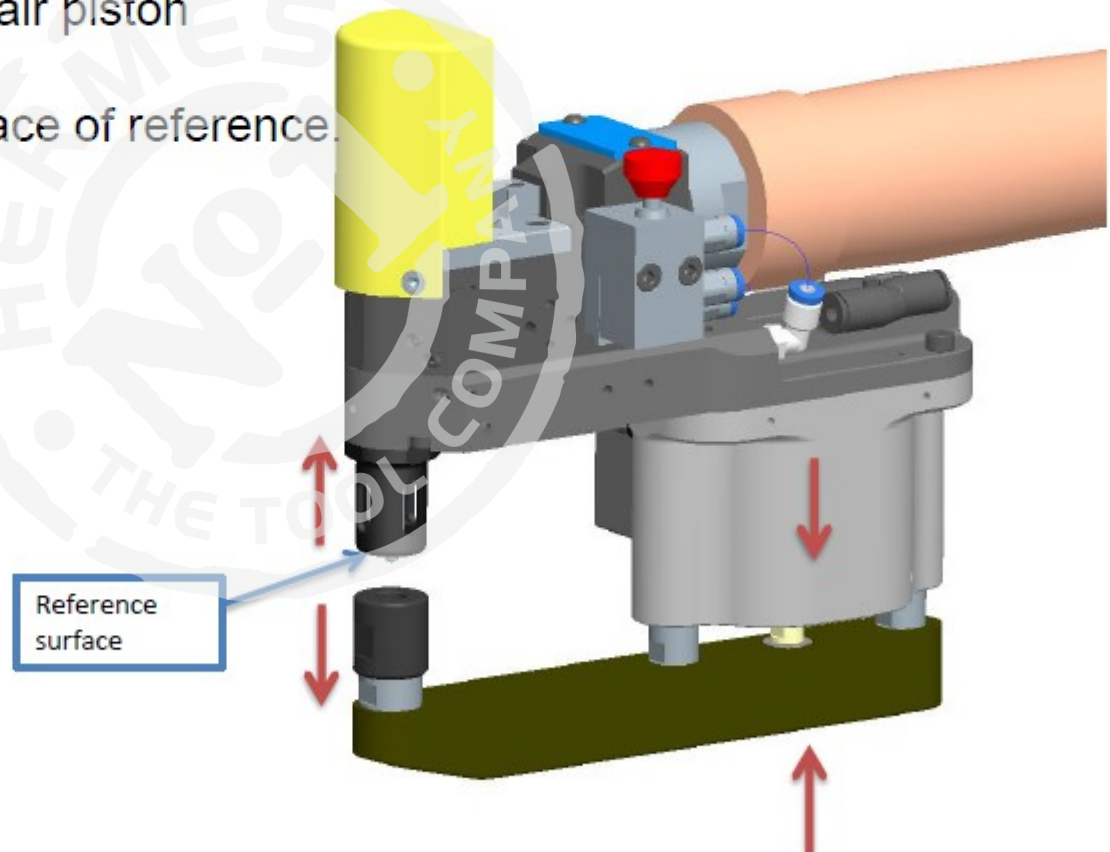
ADU –Mini C-Clamp

- Weight: 2.8Kg
- Power: 0.9HP
- Speed: 2700rpm
- Feed Rate: 0.1mm/rev
- Pressure requirement: 6.3bar under load.
- Flow rate: 1200 l/min



Mini C-clamp – location mechanism

- Location by pre-hole.
- Drilling efforts absorbed by air piston through the jaw.
- Bottom guiding bush = surface of reference.
- Max clamping effort 900N.



Applications

